



# Climate Action Network Romania

Eliza Teodorescu  
President



# We are...

- ... a group of 10 environmental NGOs working together on education and climate change for the last 5 years
- ... a network that was institutionalized as a federation in April 2008



# Our mission

- To reduce the impact of human activities on the climate and to mitigate climate change



# Our objectives

- To improve the quality of education regarding the environment and climate change;
- To increase public participation in the prevention and mitigation of climate change;
- To raise the public's and decision-makers' awareness on climate change;
- To increase the involvement of civil society in developing policies to reduce the impact of human activities on the climate and to mitigate climate change.



# The structure

We are organized in four working groups dealing with

- Energy...
- Transport...
- Agriculture and forests...
- Waste ...

... and climate change



# The members

- AIDRom – The Ecumenical Association of Churches in Romania
- ALMA-RO Association
- AMOEBA Eco Center Association
- Pro-Convenția Carpatică Association
- “Floarea Reginei” Club
- NGO Mare Nostrum
- “Prietenii Pământului” Association
- The Environment and Nature Protection Association Rhododendron
- Sighișoara Durabilă Association – civic initiative group
- TERRA Mileniul III Foundation





# Where we work

- Counties where we work on a regular basis
- Counties where we implemented specific activities



# What we do (1)

## Education

- activities with children and teachers on climate change issues
  - indoor and outdoor activities
  - contests
  - practical applications
  - trips
  - exhibitions
- publications
  - manuals, workbooks, leaflets, application kits
- training sessions for teachers





# What we do (2)

- **Policies** (education, energy, transport, agriculture, waste etc.)
  - monitoring of policy implementation
  - participation to public debates
  - publication of policy papers
  - advocacy and lobby
- **Internal development**
  - Training for members



# Education regarding climate change in Romania

## The last 5 years' experience

Ioana Ciută

Vicepresident

Climate Action Network Romania



# Background

- projects started in 2003;
- ten environmental NGOs in seven Romanian towns working in partnership;
- local education on climate change.



# Educational projects

- Save the climate (2003 – 2004)
- Kyoto Club (2004 – 2005)
- Green Schools (2005 – 2006)
- Our climate is in our hands (2006 – 2009)
- Young ambassadors against climate change (2007 – 2008)



# Target groups and beneficiaries

- around 1800 pupils aged 9 to 18 involved in educational activities;
- around 120 teachers involved in teaching climate change – related classes on climate change;
- around 100 schools integrated in projects and activities;



# Types of activities (1)

- publication of educational materials (brochures, leaflets, manuals, workbooks etc.)
- training sessions for teachers
- meetings and classes organized for children;
- extra-curricular activities for children (practical applications, contests, exhibitions etc.);



# Types of activities (2)

- **The publications**

- around 17 publications on climate change and related topics (energy efficiency and saving, waste management, forests, agriculture and transport);
- destined both to children and teachers;
- most of them published in Romanian and Hungarian languages.



Educație pentru mediu  
în contextul schimbărilor climatice

# manual de aplicații



Educație pentru mediu  
în contextul schimbărilor climatice

# ghidul profesorului

energie

transport

deșeuri

agricultură

păduri

ianuarie 2008

# ECONOMISEȘTE!



Caiet de lucru

# ECONOMISEȘTE!

Economisește energia, protejează mediul!



GHIDUL DETECTIVULUI

# Salvați clima!



Finanțator: Administrația Județeană de Educație, Cultură și Sport  
[www.kerlin.ro](http://www.kerlin.ro)



# Training the teachers



# Activities in schools

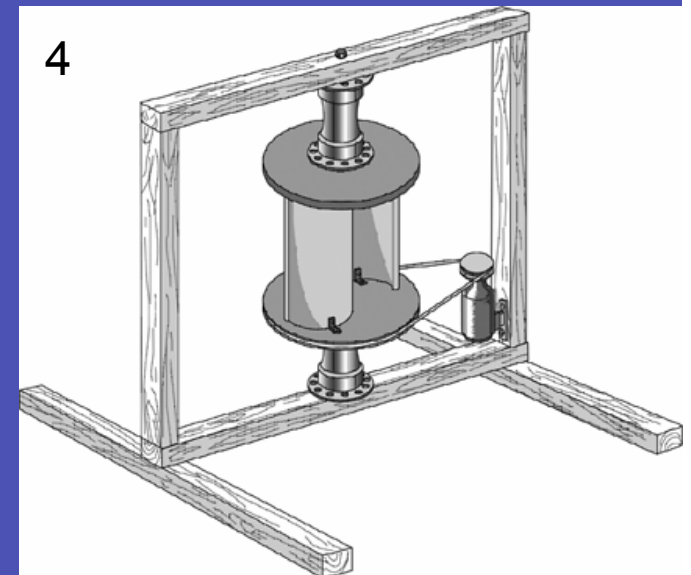
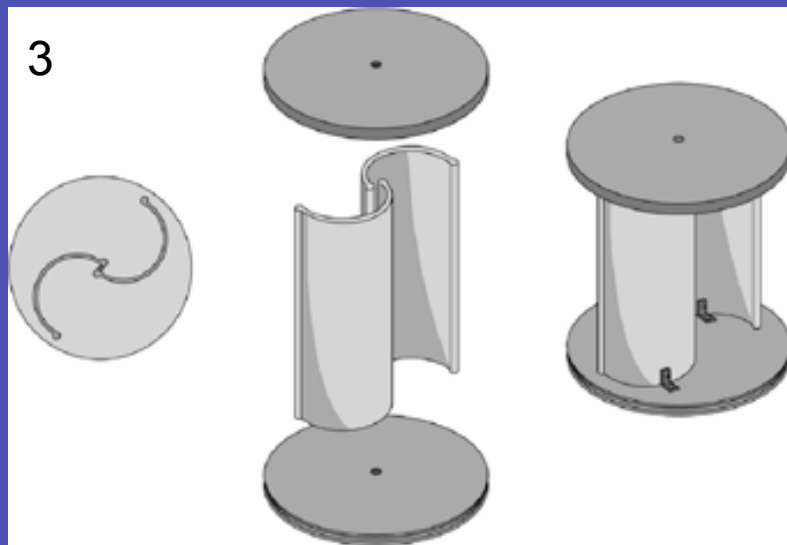
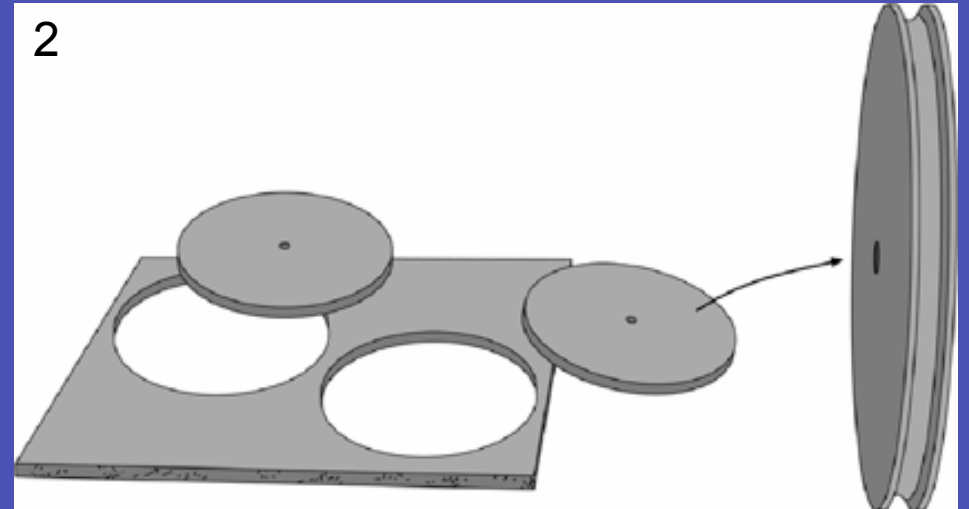
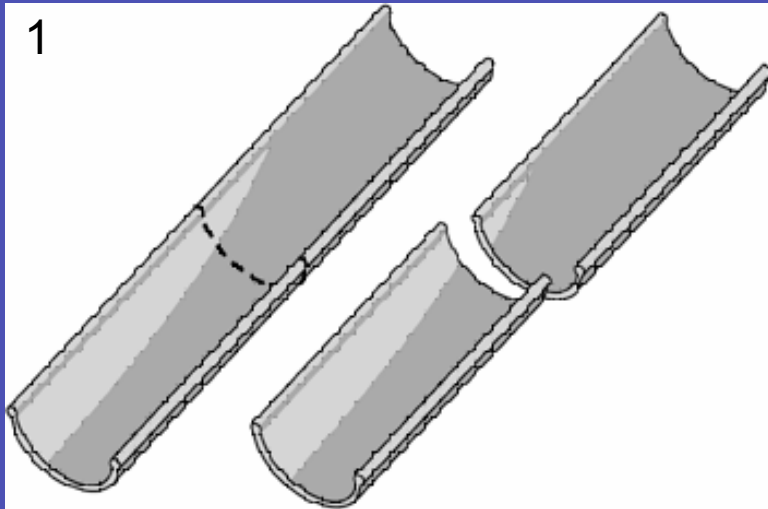


# The toolkit



# Sample practical activities

## The Savonius wind turbine



# Practical activities in schools



**Thank you!**

**Climate Action Network Romania**

<http://rac-ro.ngo.ro>

tel.: +40 21 314 3960

e-mail: [eliza.teodorescu@rac-ro.ngo.ro](mailto:eliza.teodorescu@rac-ro.ngo.ro)

[ioana.ciuta@rac-ro.ngo.ro](mailto:ioana.ciuta@rac-ro.ngo.ro)

